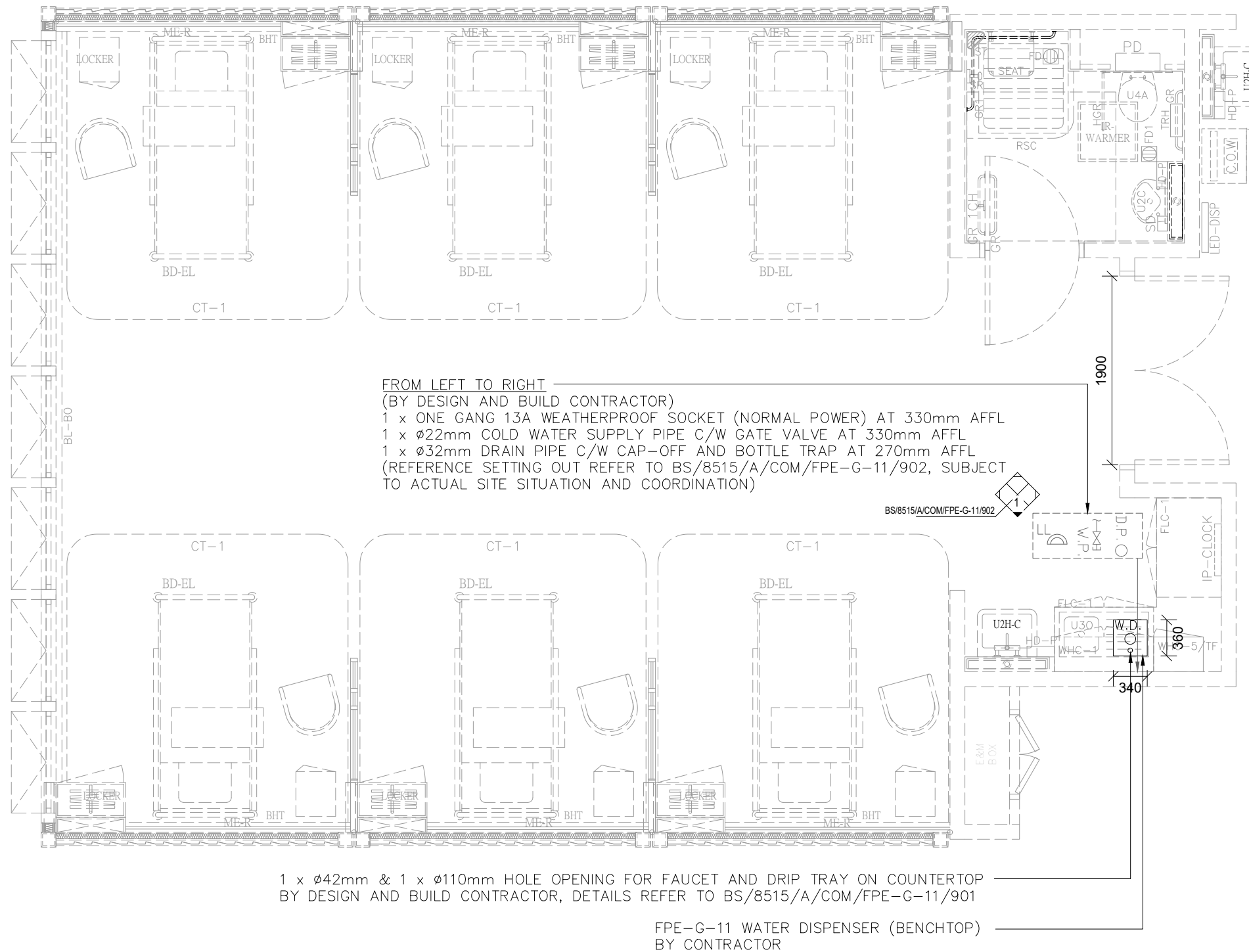


# Water Dispenser (Benchtop) - For Reference only



TYPICAL 6-BED ROOM LAYOUT  
4F D2.2  
5F A3.1.2  
6F A1.1.2, A1.2.2

REVISIONS		
NUMBER	DESCRIPTION	DATE
0	FIRST SUBMISSION	NOV 2022
1	SECOND SUBMISSION	MAR 2023
2	THIRD SUBMISSION	MAY 2023
3	FOURTH SUBMISSION	AUG 2023
4	FIFTH SUBMISSION	MAY 2024

MAIN CONTRACTOR:  
中國建築工程(香港)有限公司  
CHINA STATE CONSTRUCTION ENGINEERING HONG KONG LIMITED

ARCHITECT  
王歐陽(香港)有限公司  
WONG & OUYANG (HK) LTD

STRUCTURAL ENGINEER  
SWI

BUILDING SERVICES ENGINEER  
wsp

LANDSCAPE DESIGNER  
ADI

INTERIOR DESIGNER  
V

MODULAR CONSTRUCTION DESIGNER  
中國宏建建築科技(香港)有限公司  
CHINA STATE BUILDING CONSTRUCTOR TECHNOLOGY COMPANY LIMITED

MEDICAL CONSULTANT  
中國國際醫藥產業發展有限公司  
CHINA STATE CONSTRUCTION INT'L MEDICAL INDUSTRY DEVELOPMENT CO., LTD.

CONTRACT NO.  
SS K514

PROGRAMME NO.  
116MH

PROJECT  
DESIGN AND CONSTRUCTION OF CHINESE MEDICINE HOSPITAL AND GOVERNMENT CHINESE MEDICINES TESTING INSTITUTE IN TSEUNG KWAN O

DRAWING TITLE  
COMPOSITE DRAWING OF WATER DISPENSER (BENCHTOP) LAYOUT PLAN (1 OF 13)

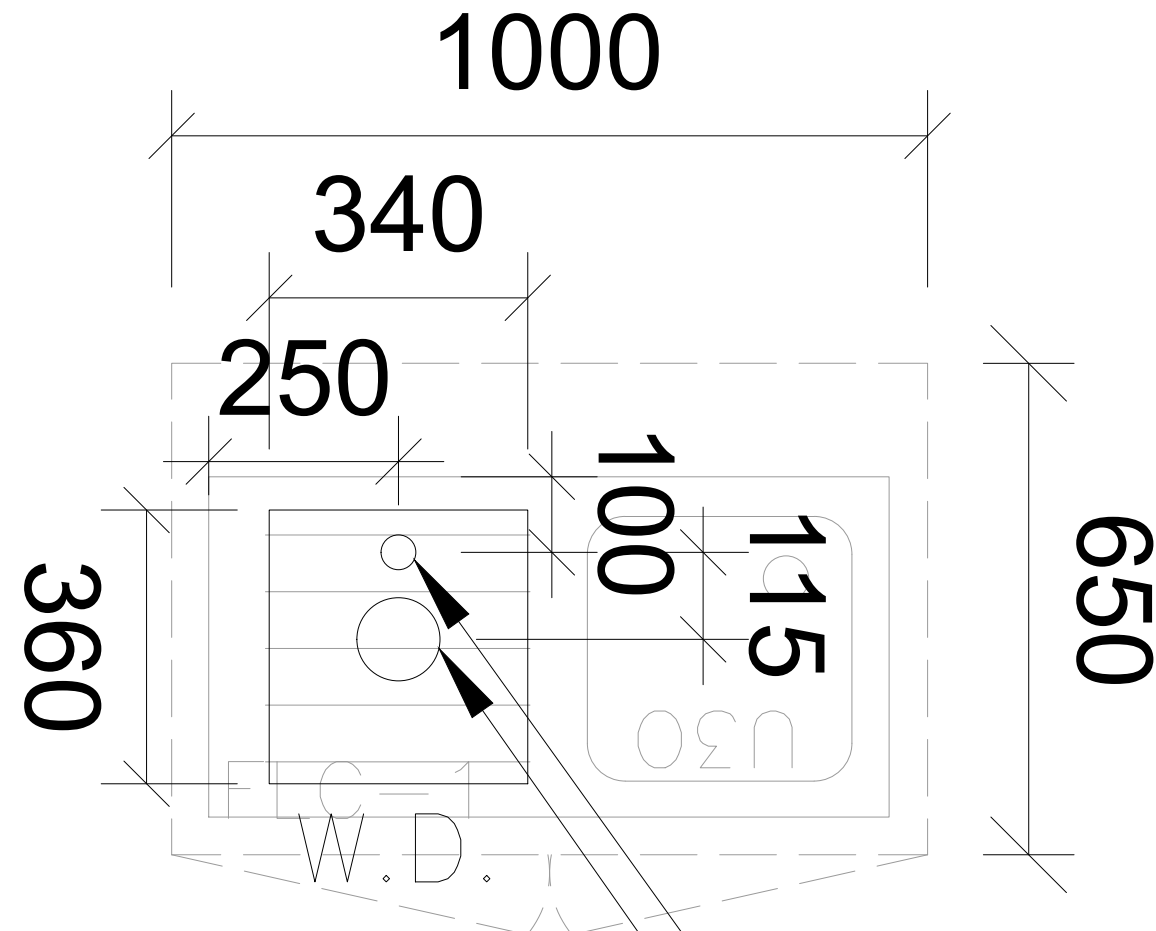
DRAWN BY: RWAL DATE: AUG2023

CHECKED BY: KT DATE: AUG2023

SCALE: 1:50 JOB NO.: BJY

DRAWING NUMBER: BS/8515/A/COM/FPE-G-11/201 REV: 4

**Water Dispenser (Benchtop) - For Reference only**



FROM TOP TO BELOW (BY DESIGN AND BUILD CONTRACTOR)  
 Ø42mm FAUCET CUTOUT  
 Ø110mm FONT CUTOUT  
 (SETTING OUT SUBJECT TO DETAILED DESIGN OF FIXTURE  
 FURNITURE AND FURTHER COORDINATION WITH CONTRACTOR)

REFERENCE DETAIL OF WATER DISPENSER (BENCHTOP)  
 SCALE 1:10 @A3  
 (DETAIL SUBJECT TO FURTHER COORDINATION WITH CONTRACTOR)

REVISIONS		
NUMBER	DESCRIPTION	DATE
0	FIRST SUBMISSION	NOV 2022
1	SECOND SUBMISSION	MAR 2023
2	THIRD SUBMISSION	MAY 2023
3	FOURTH SUBMISSION	AUG 2023
4	FIFTH SUBMISSION	SEP 2023

MAIN CONTRACTOR:  
 中國建築工程(香港)有限公司  
 CHINA STATE CONSTRUCTION ENGINEERING (HONG KONG) LIMITED

ARCHITECT  
 王歐陽(香港)有限公司  
 WONG & OUYANG (HK) LTD

STRUCTURAL ENGINEER  
 SWI

BUILDING SERVICES ENGINEER  
 WSP

LANDSCAPE DESIGNER  
 ADI

INTERIOR DESIGNER  
 V&V

MODULAR CONSTRUCTION DESIGNER  
 中國建築建造科技有限公司  
 CHINA STATE BUILDING CONSTRUCTION TECHNOLOGY COMPANY LIMITED

MEDICAL CONSULTANT  
 中國國際醫藥產業發展有限公司  
 CHINA STATE CONSTRUCTION INT'L MEDICAL INDUSTRY DEVELOPMENT CO., LTD.

CONTRACT NO.  
 SS K514

PROGRAMME NO.  
 116MH

PROJECT  
 DESIGN AND CONSTRUCTION  
 OF CHINESE MEDICINE  
 HOSPITAL AND GOVERNMENT  
 CHINESE MEDICINES TESTING  
 INSTITUTE IN TSEUNG KWAN O

DRAWING TITLE  
 COMPOSITE DRAWING OF  
 WATER DISPENSER (BENCHTOP)  
 TYPICAL DETAIL

DRAWN BY: EHW/SL DATE: SEP2023

CHECKED BY: KT DATE: SEP2023

SCALE: REFER TO DRAWING JOB NO.: BJY

DRAWING NUMBER: BS/8515/A/COM/FPE-G-11/001 REV: 4

ARCHITECTURAL SERVICES DEPARTMENT

# Water Dispenser (Benchtop) - For Reference only

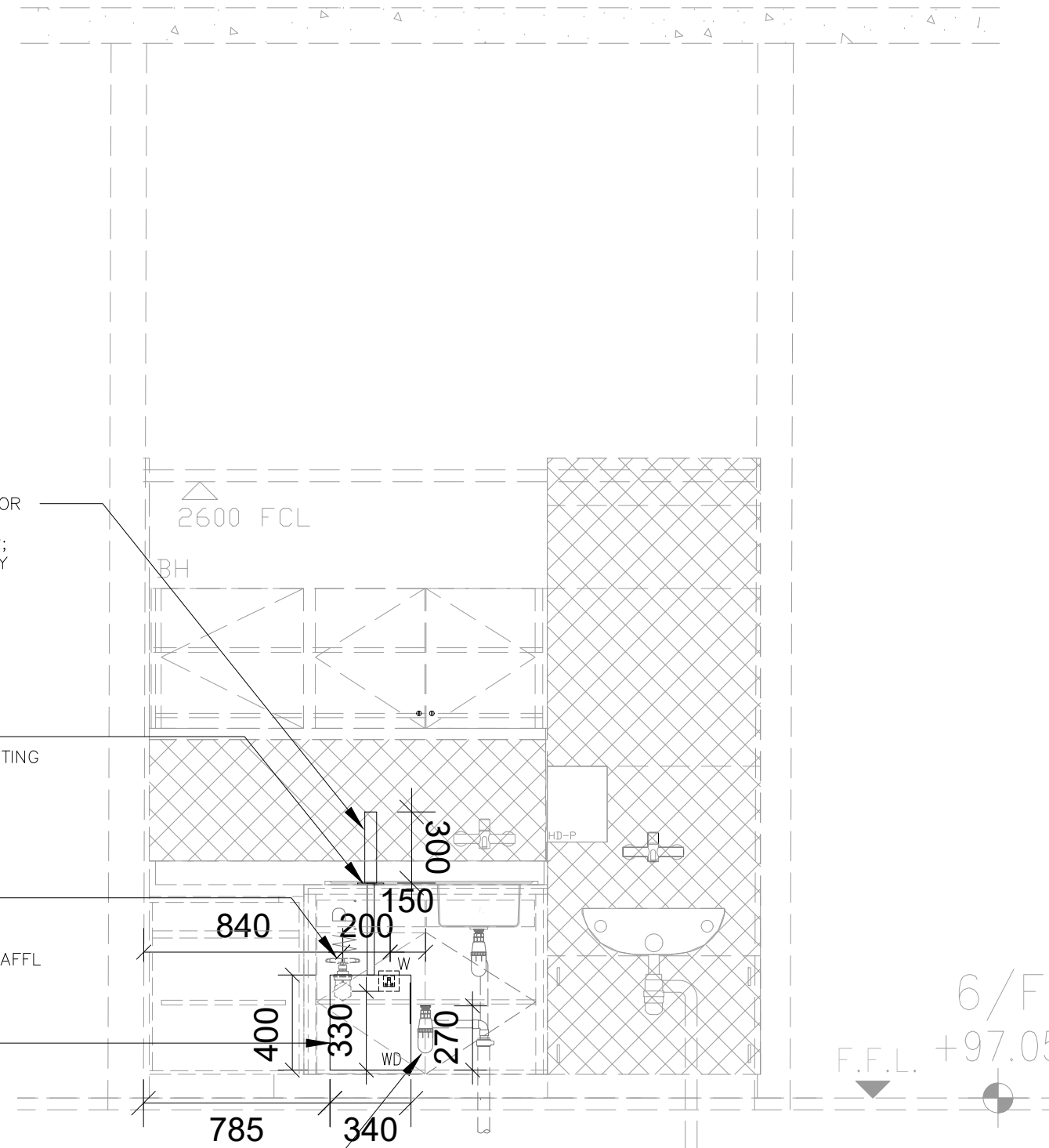
FAUCET ASSEMBLY C/W CONNECTION TO WATER DISPENSER BY CONTRACTOR (DETAIL INTERFACING AND SETTING OUT ON COUNTERTOP SUBJECT TO DETAILED COORDINATION OF FIXTURE FURNITURE DESIGN AND CONTRACTOR; FINISHING INTERFACING WORK WITH SOLID SURFACE COUNTERTOP TO BE BY CONTRACTOR (E.G. WATERPROOFING SEALANT WORKS))

1 x  $\phi 42$ mm AND 1 x  $\phi 110$ mm OPENING ON COUNTERTOP FOR FAUCET ASSEMBLY BY DESIGN AND DESIGN AND BUILD CONTRACTOR, (SETTING OUT SUBJECT TO DETAILED COORDINATION OF FIXTURE FURNITURE DESIGN

FROM LEFT TO RIGHT (BY DESIGN AND BUILD CONTRACTOR)  
 1x  $\phi 22$ mm COLD WATER SUPPLY PIPE C/W GATE VALVE AT 330mm AFFL  
 1x ONE GANG 13A WEATHERPROOF SOCKET (NORMAL POWER) AT 330mm AFFL

FPE-G-11 WATER DISPENSER (BENCHTOP) BY CONTRACTOR

1x  $\phi 32$ mm DRAIN PIPE C/W BOTTLE TRAP AT 270mm AFFL BY DESIGN AND BUILD CONTRACTOR FOR FUTURE CONNECTION TO THE WATER DISPENSER BY CONTRACTOR



TYPICAL ELEVATION FOR FPE-G-11 WATER DISPENSER (BENCHTOP)  
 SCALE 1:25 @A3

COMPOSITE DRAWING SUBMISSION

REVISIONS		
NUMBER	DESCRIPTION	DATE
0	FIRST SUBMISSION	NOV 2022
1	SECOND SUBMISSION	MAR 2023
2	THIRD SUBMISSION	MAY 2023
3	FOURTH SUBMISSION	AUG 2023
4	FIFTH SUBMISSION	SEP 2023
5	SIXTH SUBMISSION	JAN 2024
6	SEVENTH SUBMISSION	MAY 2024

MAIN CONTRACTOR:  
 中國建築工程(香港)有限公司  
 CHINA STATE CONSTRUCTION ENGINEERING (HONG KONG) LIMITED

ARCHITECT  
 王歐陽(香港)有限公司  
 WONG & OUYANG (HK) LTD

STRUCTURAL ENGINEER  
 SWI

BUILDING SERVICES ENGINEER  
 WSP

LANDSCAPE DESIGNER  
 ADI

INTERIOR DESIGNER  
 ADI

MODULAR CONSTRUCTION DESIGNER  
 中國建築建築科技有限公司  
 CHINA STATE CONSTRUCTION TECHNOLOGY COMPANY LIMITED

MEDICAL CONSULTANT  
 中國國際醫藥產業發展有限公司  
 CHINA STATE CONSTRUCTION MEDICAL INDUSTRY DEVELOPMENT CO., LTD.

CONTRACT NO.  
 SS K514

PROGRAMME NO.  
 116MH

PROJECT  
 DESIGN AND CONSTRUCTION OF CHINESE MEDICINE HOSPITAL AND GOVERNMENT CHINESE MEDICINES TESTING INSTITUTE IN TSEUNG KWAN O

DRAWING TITLE  
 COMPOSITE DRAWING OF WATER DISPENSER (BENCHTOP) TYPICAL ELEVATION

DRAWN BY: E/W/L DATE: JAN2024

CHECKED BY: KT DATE: JAN2024

SCALE: REFER TO DRAWING JOB NO.: BJY

DRAWING NUMBER: BS/8515/A/COM/FPE-G-11/002 REV: 6

ARCHITECTURAL SERVICES DEPARTMENT